

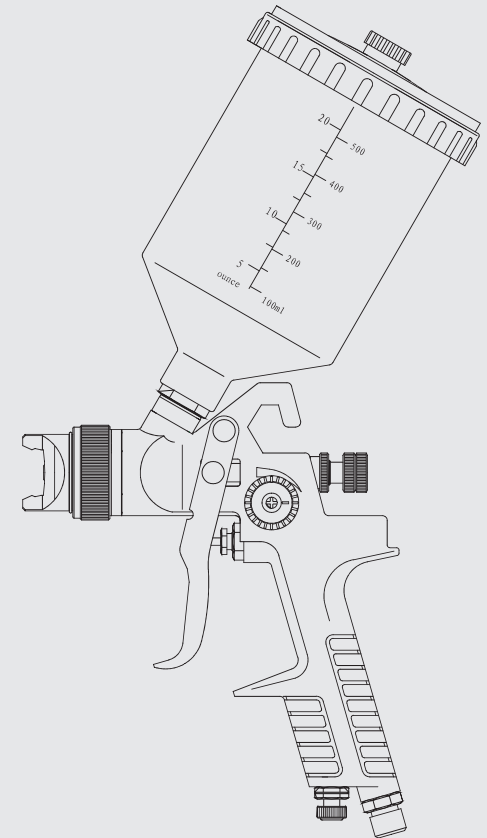
# NUMAX

# NUMAX

**MODEL: SPS14**

- [HTTP://WWW.NUMAXTOOLS.COM](http://www.numaxtools.com)
- 1-888-669-5672
- PRIME GLOBAL PRODUCTS, INC.

## 20 oz. HVLP SPRAY GUN



- [HTTP://WWW.NUMAXTOOLS.COM](http://www.numaxtools.com)
- 1-888-669-5672
- PRIME GLOBAL PRODUCTS, INC.



**WARNING:**

Failure to follow warnings could result in DEATH OR SERIOUS INJURY.

**SAVE THIS MANUAL FOR FUTURE REFERENCE.**



**FEATURES**

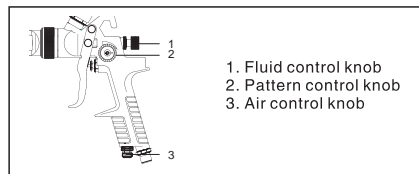
- Built-in 3 control knobs, fluid control, pattern control and air flow control, provide great versatility with precision control.
- The HVLP (High Volume Low Pressure) technology generates high output with improved paint transfer, and has less overspray of paint.
- 20 oz. plastic cup with screw on lid prevents accidental spilling.
- Stainless steel made spray needle and nozzle enhance durability and longevity.
- Cleaning kit, regulator, air connector and extra filter are included.

**OPERATION****OPERATING THE SPRAY GUN**

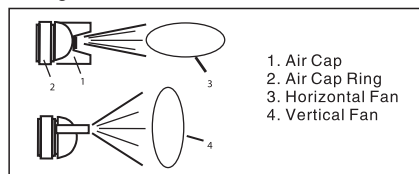
- Before operating the gun, make sure all nuts and bolts are tight.
- Install the regulator onto the air inlet port of the tool and then install a 1/4" NPT female connector onto the air inlet of the regulator. Use Teflon tape on all threaded connections.
- Start the compressor and set the regulator to 30–45 PSI.
- The trigger level of this gun has a two-step design. Press the trigger level to the first step to connect to the air source, ensuring that air flow the spray gun. Press the trigger lever to the second step to connect the paint material.

**CONTROLLING THE PATTERN AND FLUID FLOW**

- Hold the gun 6 to 9 inches from the work surface.
- Depress the trigger to begin applying material while moving the gun from side to side.
- When spraying from left to right, use the vertical pattern and when spraying from top to bottom, use the horizontal pattern.
- Practice painting on a piece of scrap material until the coating results are acceptable, adjusting as follows:



1. Fluid control knob  
This knob controls the amount of paint that is mixed with the air. Reduce the amount of paint by turning in a clockwise direction and increase the amount of paint by turning counterclockwise.
2. Pattern control knob  
For a full pattern, turn the knob in a counterclockwise direction and for a round pattern, turn the knob clockwise.
3. Air control knob  
Increase the air flow by turning the air control knob clockwise. Reduce the air flow by turning the air control knob counterclockwise.
4. Air cap ring  
The direction of the fan can be adjusted by turning the air cap 90 degrees.

**MAINTENANCE**

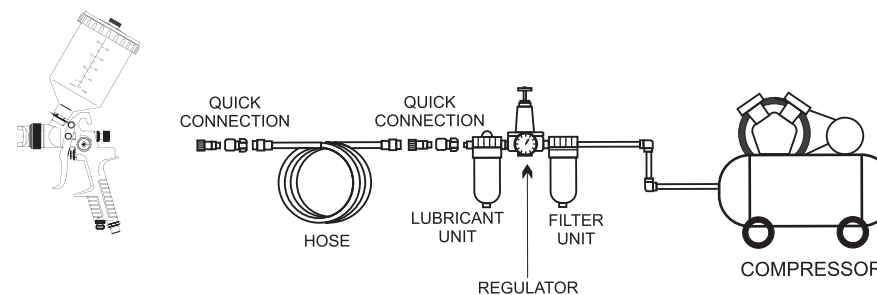
To clean clogged passages. Disassemble the gun with the tool included and soak all parts in thinner or approved solvent for 15 to 30 minutes. Longer soaking time might be required for severely clogged situation. Clean the parts with a soft wire brush.

**WARNING:**

Never use metal objects to clean precisely drilled passages. Damaged passages will cause improper spraying.

**CLEANING**

1. After each use, shut off the air supply and release the pressure in the paint gun by pulling the trigger before cleaning to avoid injury.
2. Drain and clean the cup. To clean and gun passages, put a small amount of thinner or approved solvent in the cup. Attach the cup to the sprayer and spray the liquid through the gun while shaking it vigorously. Periodically pull and release the trigger to help break loose dried-on material.
3. Wipe the gun and cup exterior with a solvent soaked rag.

**RECOMMENDED HOOKUP****TROUBLESHOOTING****WARNING:**

Stop using tool immediately if any of the following problems occur. Serious personal injury could result. Any repairs or replacements must be done by a qualified service person or an authorized service center.

PROBLEMS	POSSIBLE CAUSE(S)	CORRECTIVE ACTION
Gun does not spray	<ol style="list-style-type: none"> <li>1. Air hose connections at compressor are loose.</li> <li>2. Paint cup is loose.</li> <li>3. Fluid tube, fluid tip or air caps loose, clogged or damaged.</li> <li>4. Air pressure too low.</li> <li>5. Material is too thick or needs straining.</li> <li>6. Fluid control knob closed.</li> </ol>	<ol style="list-style-type: none"> <li>1. Tighten and seal hose fittings with Teflon tape if leaks are found.</li> <li>2. Tighten paint cup to gun.</li> <li>3. Clean parts with solvent.</li> <li>4. Adjust regulated air pressure to 30–45 PSI.</li> <li>5. Thin material according to manufacturer's instructions and strain material using a paint strainer.</li> <li>6. Adjust fluid control knob.</li> </ol>
Material sags or runs	<ol style="list-style-type: none"> <li>1. Material improperly thinned.</li> <li>2. Movement of gun is too slow.</li> <li>3. Gun held too close to work surface.</li> </ol>	<ol style="list-style-type: none"> <li>1. Thin material according to manufacturer's instructions.</li> <li>2. Move at a moderate pace, parallel to surface.</li> <li>3. Keep the gun 6 to 9 inches from the work surface.</li> </ol>
Spray pattern is distorted	<ol style="list-style-type: none"> <li>1. Fluid tip partly blocked.</li> <li>2. Clogged air cap.</li> <li>3. Material is too thick or needs straining.</li> <li>4. Gun not held at right angle to paint surface.</li> <li>5. Pattern control knob partially closed.</li> <li>6. Fluid control too heavy.</li> </ol>	<ol style="list-style-type: none"> <li>1. Clean fluid tip and air cap.</li> <li>2. Clean air cap.</li> <li>3. Thin material according to manufacturer's instructions and strain material using a paint strainer.</li> <li>4. Hold gun parallel to the paint surface.</li> <li>5. Turn pattern control knob counterclockwise.</li> <li>6. Adjust fluid control knob.</li> </ol>
Spray pattern flutters	<ol style="list-style-type: none"> <li>1. Paint cup is loose.</li> <li>2. Material is too thick or needs straining.</li> <li>3. Paint cup is empty.</li> </ol>	<ol style="list-style-type: none"> <li>1. Tighten paint cup.</li> <li>2. Thin material according to manufacturer's instructions and strain material using a paint strainer.</li> <li>3. Fill paint cup.</li> </ol>
Spray pattern is split	<ol style="list-style-type: none"> <li>1. Air pressure too high.</li> <li>2. Pattern control knob open too far.</li> </ol>	<ol style="list-style-type: none"> <li>1. Adjust air pressure to 30–45PSI.</li> <li>2. Turn pattern control knob clockwise.</li> </ol>

**▲ WARNING:**

Use only Numax Authorized Repair Parts. For questions please call 1-888-669-5672 or visit our website at <http://www.numaxtools.com>



**PGP INC. PRODUCT WARRANTIES**

**1-Year Professional Tool Warranty**

The Numax Tool limited warranty extends exclusively to the original purchaser of the Numax Product, begins on the date of purchase. During the warranty period Prime Global Products, Inc. (PGP) expressly warrants that the Numax Product is free from defect in materials and workmanship subject to the exceptions and limitations contained herein. PGP shall at its option, repair, replace, or offer a full refund for a Numax Product that has a defect in materials or workmanship. A DATED SALES RECEIPT OR PROOF OF PURCHASE FROM THE ORIGINAL RETAIL PURCHASER IS REQUIRED TO MAKE A WARRANTY CLAIM. Warranty registration is also required and can be accomplished through On-Line Product Registration at [www.primeglobalproducts.com](http://www.primeglobalproducts.com), select SUPPORT, select PRODUCT REGISTRATION. To make a warranty claim, the original purchaser must return the Numax Tool, postage prepaid and insured, with proof of purchase to PGP or any of its authorized service centers. For questions please call 1-888-669-5672. Other than the postage and insurance requirement, no charge will be made for repairs covered by this warranty.

**Warranty Exclusions**

These Warranties do not apply where:

- Repairs or alterations have been made, or attempted, by others, and/or the unauthorized use of non-conforming parts or accessories.
- Repairs are required due to normal wear and tear.
- The Tool has been abused, misused, improperly maintained or operated, including: the failure to use clean, dry, regulated compressed air at the recommended pressure; accidents caused by use of the Numax Product after partial failure.
- The Numax Product is used commercially in assembly lines or production lines.
- The Numax Product is intended for use by individuals and these warranties do not extend to such commercial uses.

NO WARRANTY, ORAL OR WRITTEN, EXPRESSED OR IMPLIED, OTHER THAN THE ABOVE WARRANTIES IS MADE WITH REGARD TO THIS NUMAX PRODUCT. ANY IMPLIED WARRANTIES WILL BE LIMITED IN DURATION TO THE APPLICABLE WARRANTY PERIOD SPECIFIED ABOVE. SOME STATES DO NOT ALLOW LIMITATIONS ON HOW LONG AN IMPLIED WARRANTY LASTS, SO THE ABOVE MAY NOT APPLY TO YOU. YOUR REMEDIES ARE SOLELY AND EXCLUSIVELY AS STATED ABOVE. PGP SHALL IN NO EVENT BE LIABLE FOR INCIDENTAL, CONSEQUENTIAL, INDIRECT, OR SPECIAL DAMAGES. SOME STATES DO NOT ALLOW THE EXCLUSION OR LIMITATION OF INCIDENTAL OR CONSEQUENTIAL DAMAGES, SO THE ABOVE LIMITATION OR EXCLUSION MAY NOT APPLY TO YOU. IN NO EVENT, WHETHER AS A RESULT OF A BREACH OF CONTRACT, WARRANTY, TORT (INCLUDING NEGLIGENCE) OR OTHERWISE, SHALL PGP'S LIABILITY EXCEED THE PRICE OF THE PRODUCT WHICH HAS GIVEN RISE TO THE CLAIM OR LIABILITY. ANY LIABILITY CONNECTED WITH THE USE OF THIS PRODUCT SHALL TERMINATE UPON THE EXPIRATION OF THE WARRANTY PERIOD SPECIFIED ABOVE. NO EMPLOYEE OR REPRESENTATION OF PGP, OR ANY DISTRIBUTOR OR DEALER IS AUTHORIZED TO MAKE ANY CHANGE OR MODIFICATION OF THIS WARRANTY.

Warranty Exclusions These warranties give you specific legal rights. You may also have other rights which vary from state to state.